

Quick Installation Guide

XGuard Pro C75



LIABILITY DISCLAIMER

This device is for use exclusively on a radio controlled (RC) model. RC models are not toys. Moving parts can present a hazard to operators, bystanders and anyone or anything that could be reached by the RC model. Improper operation, maintenance or assembly can potentially cause an RC Model to pose a danger to persons or objects including but not limited to the possibility of causing serious physical injury and even death. After leaving its facilities the manufacturer has no way of maintaining control or supervision over the assembly and/or operation of the RC model or the addition of this device to the RC Model therefore the manufacturer and/or its agents assume no responsibility or liability whatsoever for any damages including but not limited to ones generated by incidental or consequential damages. The operator of the RC Model assumes all responsibility and liability that could result from the correct or incorrect operation of the RC Model.



This product is intended to be used by experienced adult radio control model operators under controlled safety conditions and on locations properly authorized and setup for safe flying and away from other people. This product must not be operated without reasonable personal or commercial Liability Insurance.



Under no circumstance should a minor be allowed to operate any radio controlled model without the approval, supervision and direction of his parent or legal guardian who takes full responsibility and assumes full liability of every kind for the minor's actions.



Do not operate an RC models within the vicinity of homes, trees, electrical lines during inclement weather or rain or near crowds of people.

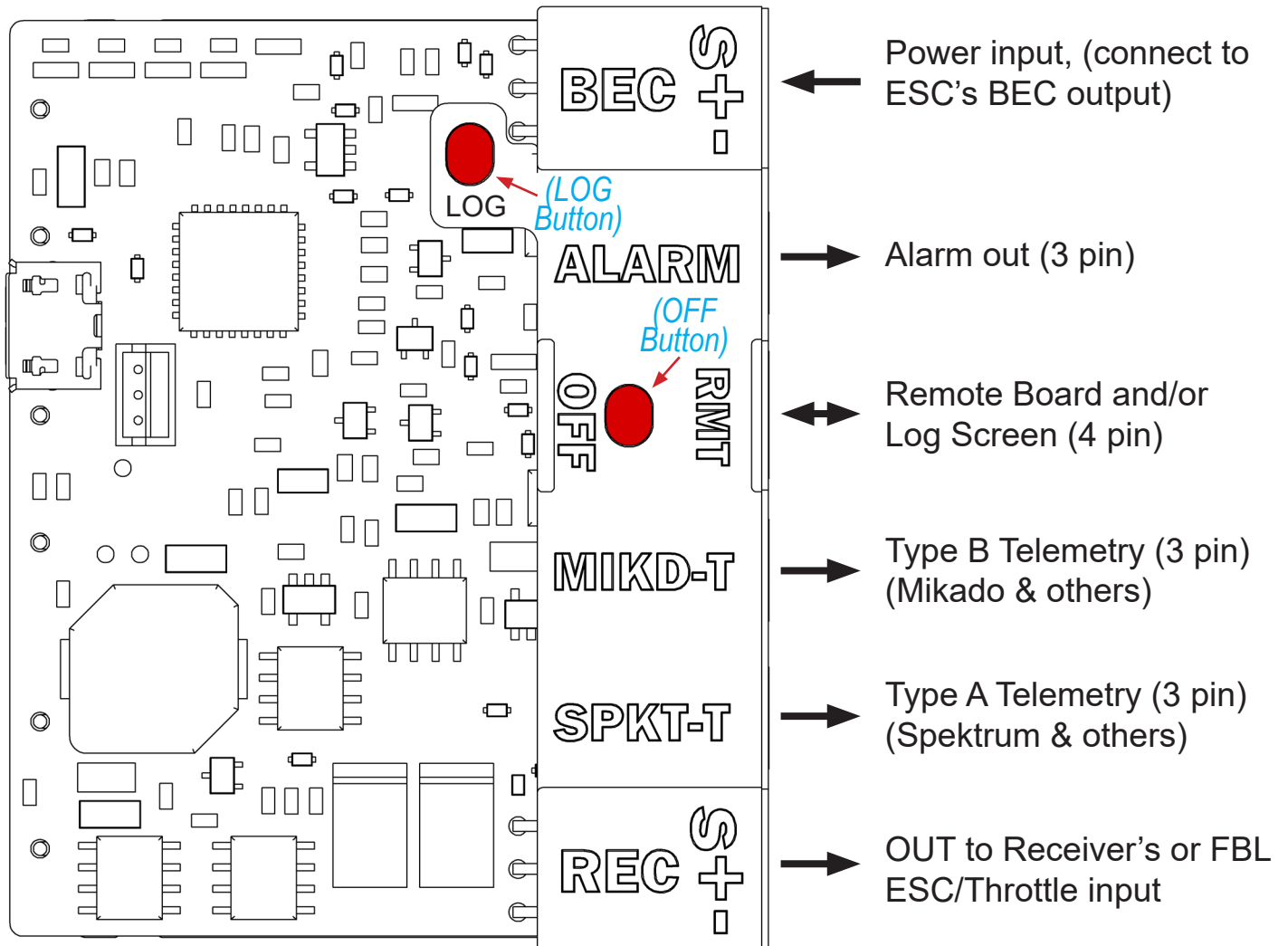
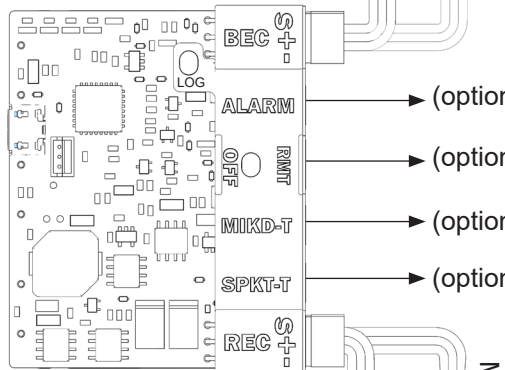
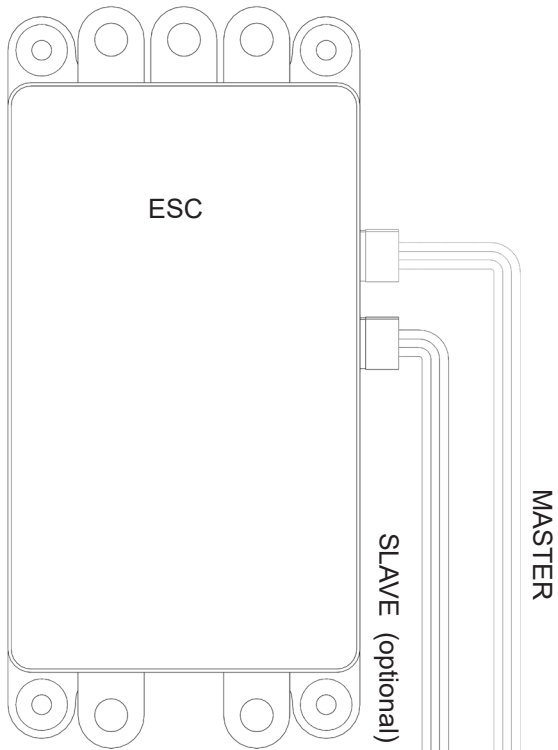


Figure 1 - Ports description



- (optional) Connect the strobe light(s) or Buzzer daisy chain to this port
- (optional) Connect the Remote Board and/or Log Screen daisy chain to this port
- (optional) If using Mikado Neo connect this port to the Neo's TELE1 port
- (optional) If using Spektrum connect this port to the telemetry port

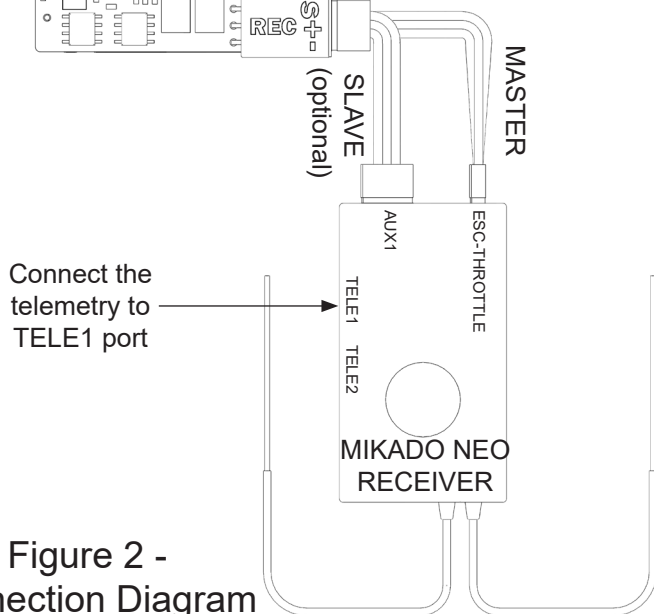


Figure 2 - Connection Diagram

MODES OF OPERATION

- 1.- BEC Mode. The XGuard will monitor voltage and will trigger an alarm condition after a consistent small drop in BEC voltage under load.
- 2.- Battery Pack Mode: The XGuard will monitor voltage and will trigger an alarm condition after 5.5V voltage under load is reached
- 3.- Battery Pack Mode with Cell Balance monitor: The XGuard will monitor voltage and will trigger an alarm condition after 5.5V voltage under load is reached or a cell unbalance of 100mV is reached.

SELECTING OPERATION MODE:

Switching between BEC mode and Battery Pack mode is done by holding the OFF button on the XGuard itself while powering the XGuard.

To switch between Battery Pack Mode with Cell balance monitor is done by holding the LOG button on the XGuard itself while powering the XGuard.

TURNING OFF

In order to turn the XGuard off power off the BEC or disconnect the battery. The XGuard will flash reporting a power failure and only under this condition the XGuard will interpret a push in the OFF button as a command to turn off. If you try to push the OFF button while still powered the XGuard will not turn off and will display an alarm if an XStrobe or and XBuzzer are connected to the alarm port.

RESET/RESTART

If you want to reset the XGuard as in the case when you plug in a LOG Screen and want to initialize it press both log and power button at the same time and the XGuard will reinitialize itself and initialize the log Screen